

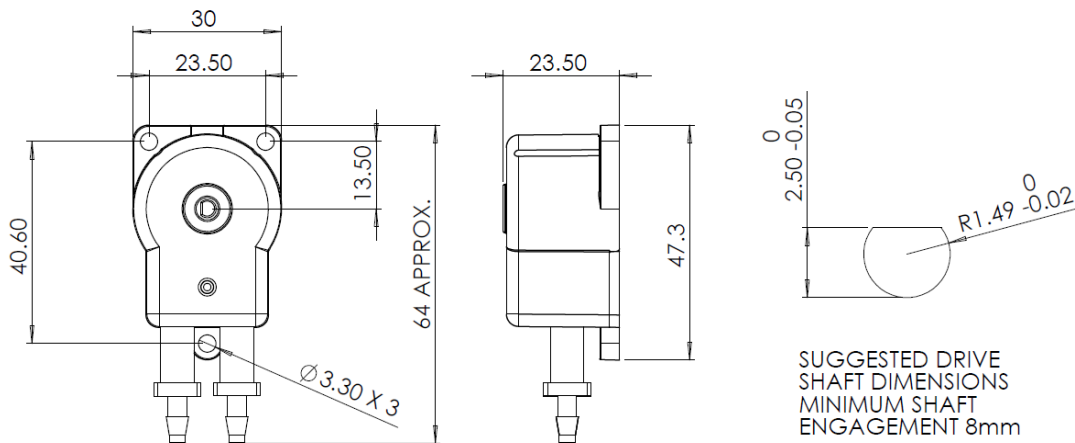
## 100 SERIES pump head only

- Very Compact
- Low Cost
- Various Tube Materials/Sizes
- 2 or 4 Rollers
- Integral Tube Grips



The 100 series, micro range of peristaltic pumps offer a low cost, compact & reliable means of dosing a wide range of liquids. They are available in various configurations of tubing type & size giving flow rates of between 0.016 & 0.26 ml/rev. The product is designed to be disposable but each pump head is assembled using a single screw enabling dis-assembly & re-assembly for tube changing if required.

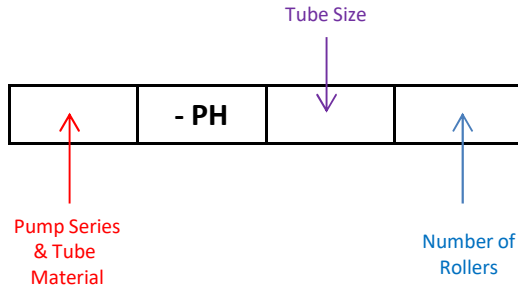
### DIMENSIONS (mm)



**Williamson Manufacturing Co Ltd**  
Unit 5, Lady Bee Industrial Estate  
Albion Street  
Southwick  
West Sussex BN42 4EP  
UK  
Email: [sales@wmc pumps.com](mailto:sales@wmc pumps.com)

## New 100 series pump head only

Devise your product code by using codes from the table on the right where stated below.



102-PH-016/4

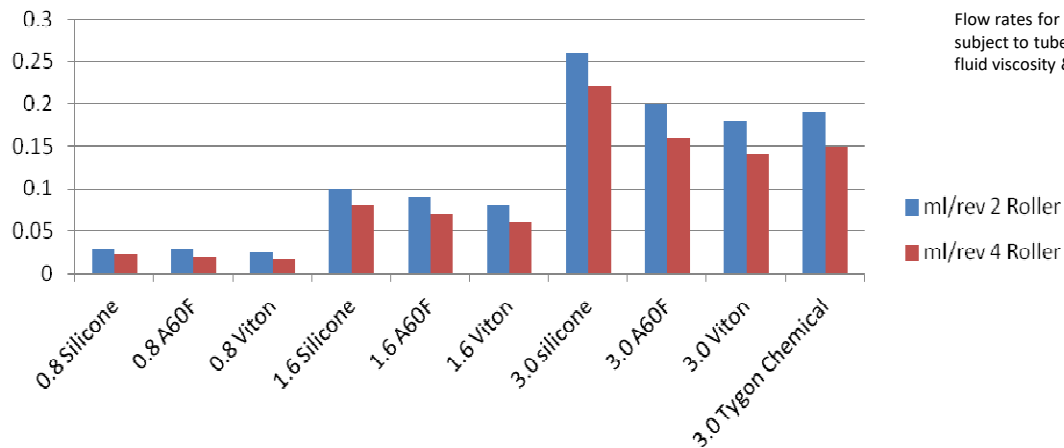
Example product code for 100 series pump head fitted with Viton® tubing, 1.6mm ID tubing & 4 rollers

	Product Code
<b>Pump Series and Tube Material</b>	
Silicone	100
Tygon® A60F Norprene	101
Viton®	102
Tygon Chemical® Norprene (3mm tube size only)	107
<b>Tube Size (bore) mm</b>	
0.8	-008
1.6	-016
3.0	-030
<b>Number of rollers</b>	
2	/2
4	/4

## Materials of construction

Body & Back Plate	Rotor	Rollers
SAN	POM	Stainless Steel

## Flow Rates ml per revolution



Flow rates for guidance only and subject to tube tolerance, tube age, fluid viscosity & back pressure.

**Williamson Manufacturing Co Ltd**  
Unit 5, Lady Bee Industrial Estate  
Albion Street  
Southwick  
West Sussex BN42 4EP  
UK  
Email: [sales@wmc pumps.com](mailto:sales@wmc pumps.com)