

### 810 series Mounting Brackets, Tubing & Connectors

Specification Sheet 1 (last updated Oct 2009)



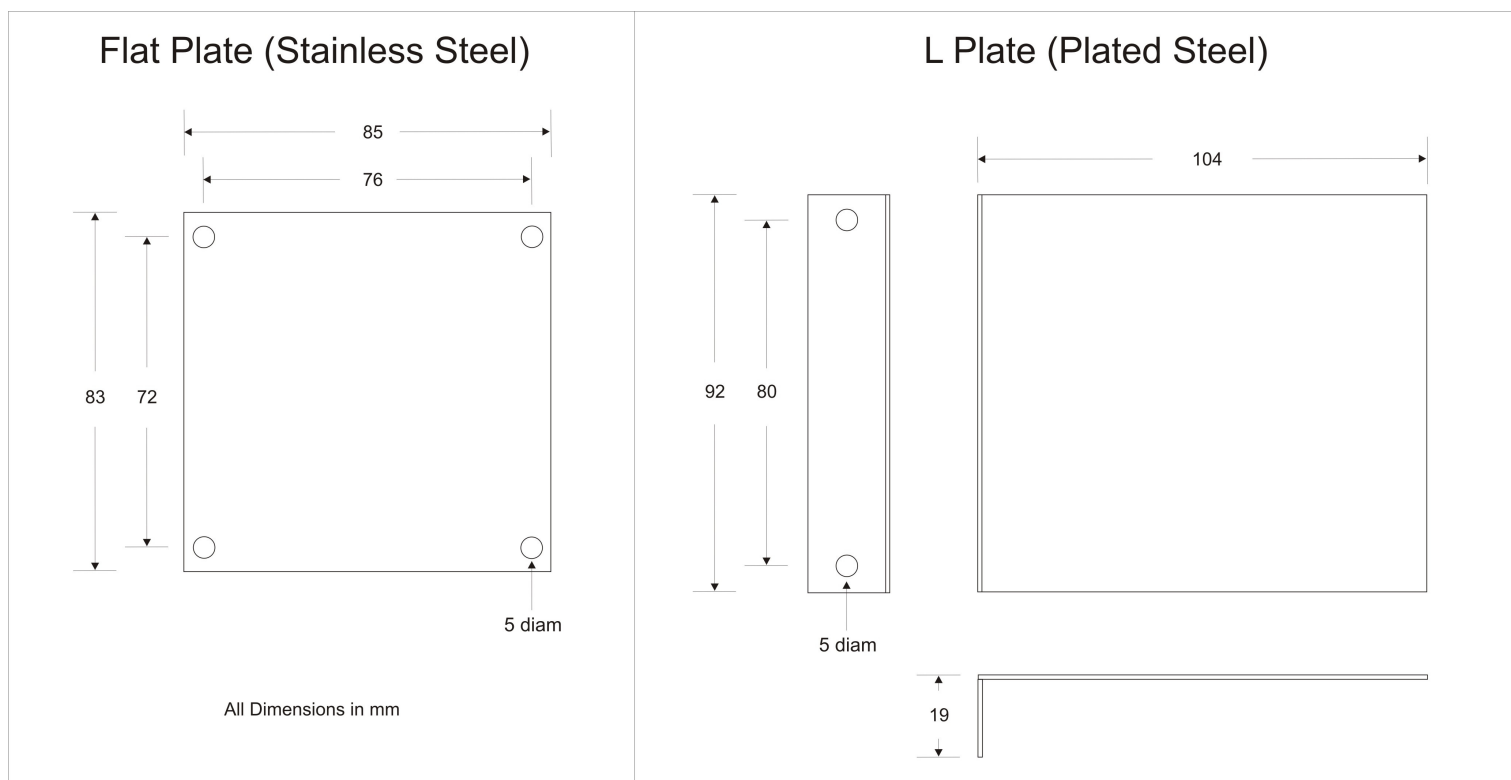
The ever popular WPL 810 series peristaltic pumps are available in a range of AC and DC motor options and various tube size combinations delivering flow rates as high as 987 ml/min. They are self priming up to 29 ft. (8.8m), can be run dry continuously, and are non-siphoning.

The easiest way to place an order or check prices is via our online shop at <http://www.williamson-shop.co.uk> but please contact us for any requirements not listed or to place an order over the phone.

### 810 series Mounting Brackets

- L L shaped
- F Flat
- K Kit (no bracket)

Add above code as suffix to pump model number to select chosen bracket. eg. 810-143-230-250/2-L would have an L shaped bracket. Where no suffix is shown the flat plate will be supplied.



**Williamson Manufacturing Company Ltd**

The Street, Poynings, West Sussex, BN45 7AQ, United Kingdom.

Tel +44(0)1273 857752 Fax +44(0)1273 857511 Web [www.wmcpumps.com](http://www.wmcpumps.com)

## 810 series Mounting Brackets, Tubing & Connectors

Specification Sheet 2

### 810 series Tubing

#### 55 Food Grade Santoprene

SANT55-4.8x2.4-230	Santoprene tubing - food grade 4.8mm ID x 2.4mm wall 55 shore, cut length of 230mm with tube stop
SANT55-4.8x2.4/1M	Santoprene tubing - food grade 4.8mm ID x 2.4mm wall 55 shore, per metre
SANT55-6.4x2.4-230	Santoprene tubing - food grade 6.4mm ID x 2.4mm wall 55 shore, cut length of 230mm with tube stop
SANT55-6.4x2.4/1M	Santoprene tubing - food grade 6.4mm ID x 2.4mm wall 55 shore, per metre

#### Silicone - Peroxide cured

SIL-4.8x2.4-230	Silicone tubing -peroxide cured 4.8mm ID x 2.4mm wall, cut length of 230mm with tube stop
SIL-4.8x2.4/1M	Silicone tubing - peroxide cured 4.8mm ID x 2.4mm wall, per metre
SIL-6.4x2.4-230	Silicone tubing - peroxide cured 6.4mm ID x 2.4mm wall, cut length of 230mm with tube stop
SIL-6.4x2.4/1M	Silicone tubing - peroxide cured 6.4mm ID x 2.4mm wall, per metre

### 810 series Connectors

#### Polypropylene

Micro 5	Barbed connector - to suit 4.8mm ID tubes
GS6-PP	Barbed connector - to suit 6.4mm ID tubes
GRS6-4-PP	Reducing barbed connector to step down from 6.4mm ID to 4mm ID tubes

#### Acetal

GS6	Barbed connector - to suit 6.4mm ID tubes
GRS6-4	Reducing barbed connector to step down from 6.4mm ID to 4mm ID tubes
GRS6-8	Reducing barbed connector to step up from 6.4mm ID to 8mm ID tubes
GRS6-10	Reducing barbed connector to step up from 6.4mm ID to 10mm ID tubes

**Williamson Manufacturing Company Ltd**  
The Street, Poynings, West Sussex, BN45 7AQ, United Kingdom.  
Tel +44(0)1273 857752 Fax +44(0)1273 857511 Web [www.wmcpumps.com](http://www.wmcpumps.com)