

Mounting brackets, tubing, & connectors

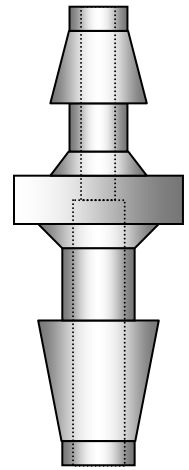
Due to the wide range of pump head configurations we produce, and the enormous variety of applications they are used for, there are a number of different connectors and brackets supplied by Williamson Pumps Ltd.

toprene®

Santoprene®

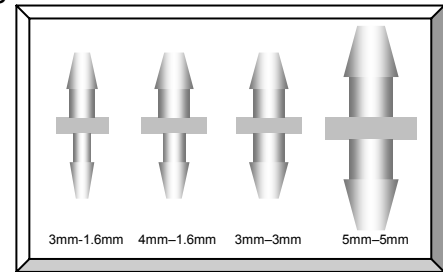
Sa

Tubing - Spare tubing is available for all our pumps in standard lengths (as normally supplied with the pump head) or any custom length to your requirements. *Silicone*, *Santoprene*®, and *Viton*® are the standard tubing materials depending on the chemical/physical properties of the product to be pumped, but others can be supplied to order – contact us for prices and to discuss your requirements.



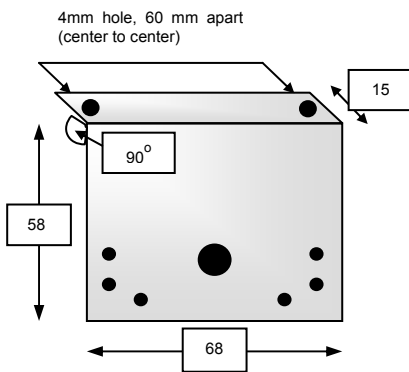
A number of off-the-shelf barbed **connectors** are available and are fitted as standard on most of our peristaltic pumps. These are all manufactured from polypropylene, which is strong and highly chemically resistant. Additionally we can source a full range of connectors, clamps, compression fittings etc for any application and tubing size and can even design connectors for a specific application if none exist.

Prices vary according to type and quantity – contact us to discuss your requirements.

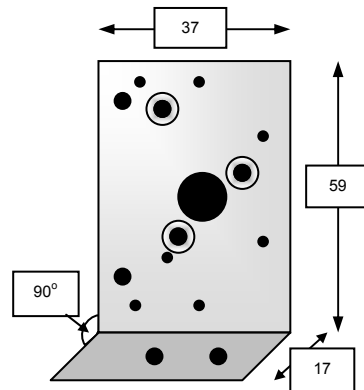


Mounting plates are used on the majority of our pump heads to facilitate easy connection to a variety of motors.

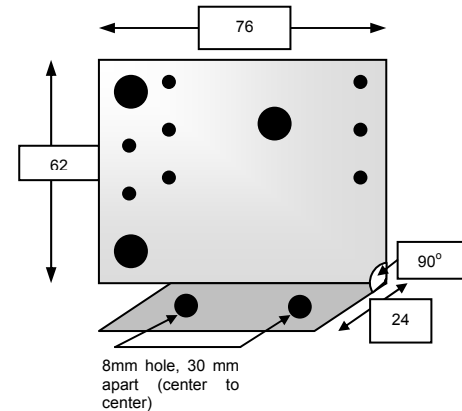
Top mount bracket – fits 200 series AC models only



Universal L bracket – fits 100 & 200 series AC & DC models



Tube grip bracket – fits 200 series AC models, long and short mount.



www.williamsonpumps.co.uk

Aviation House, The Street, Poyning, West Sussex, BN45 7AQ, UK.

Tel: (+44) 0845 226 3638 Fax: (+44) 0845 226 3639

info@williamsonpumps.co.uk