

LDS2.1-230-130 and LDS2.1-230-232 programmable dosing pumps



Specification Sheet and Drawing (last updated June 2010)



Our LDS2.1-230 range of versatile programmable peristaltic pumps, are designed for wall or panel mounting. They are self-priming up to 5 metres, with a nominal flow of 105 ml/min and fitted with Silicone tubing as standard. All pumps are installed in a high quality plastic box complete with fast prime button.

The unit allows up to four doses per day (24 hour model) or 6 doses per day (7 day model) and dose times are set on the real-time clock for durations from 1 minute → 23 hours 59 minutes. All models are supplied serial numbered, with polypropylene barbed tube connectors and come with appropriate installation kit & operating instructions.

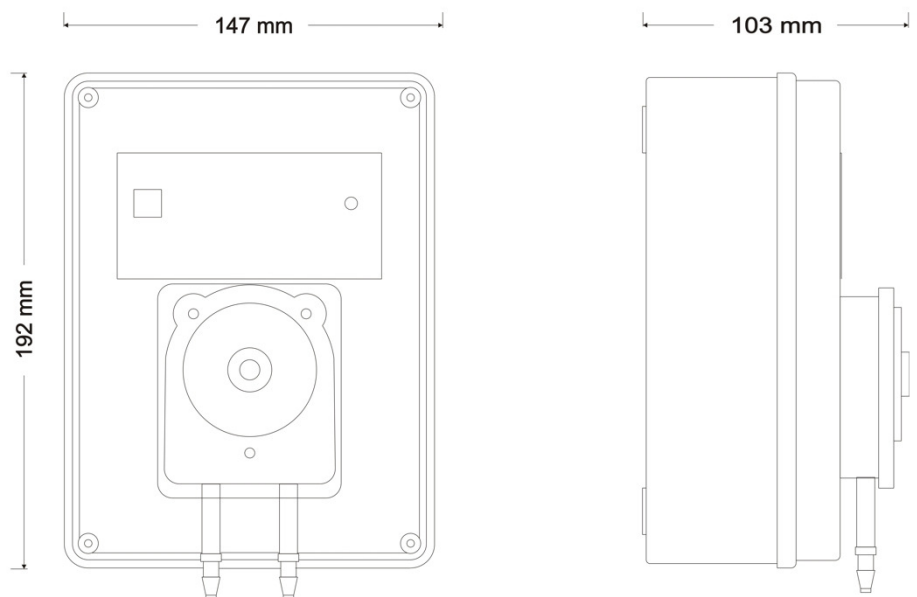
Available in four variations:

LDS2.1-230-130-UK	230V UK Plug model 24hr (max 4 doses per day)
LDS2.1-230-232-EURO	230V Euro plug model 24hr (max 4 doses per day)
LDS2.1-230-130-7-UK	230V UK Plug model 7day (max 6 doses per day)
LDS2.1-230-232-7-EURO	230V Euro plug model 7day (max 6 doses per day)

Important: These pumps are not suitable for continuous running.

The easiest way to place an order or check prices is via our online shop at <http://www.williamson-shop.co.uk> but please contact us for any requirements not listed or to place an order over the phone.

- Extremely durable and reliable.
- 230v AC, 30 rpm synchronous motor for virtually silent operation.
- Flow rate 105 ml/min using 5 mm id silicone tube.
- Simple to install and program.
- Self priming up to 5 metres.
- Can run dry without problem.
- Shipping weight: 2.4 Kg.
- CE compliant
- Manufactured in the UK.



Williamson Manufacturing Company Ltd

The Street, Poyning, West Sussex, BN45 7AQ, United Kingdom.

Tel +44(0)1273 857752 Fax +44(0)1273 857511 Web www.wmcpumps.com