

LDS 4 programmable dosing pump

Specification sheet 2012



- **32 programmable individual or every day dose times.**
- **Battery or mains operation.**
- **Highly visible blue back lit display.**
- **Compact IP55 Casing.**

Developed for timed dosing of various applications including drain & grease traps, urinals and water treatment. The unit utilises an easy to use custom programmable control unit & our standard 200 series pump head and includes features such as: Battery status indication, voltage drop compensation (for stable pump output), flow calibration, battery backup & the option to pass code protect settings. The LDS4.01B utilises a battery pack rather than individual batteries for proven reliability. The IP55 case is custom moulded in ABS, has a small footprint and is wall mountable.

Various options are available including tube types & sizes, alternative power supplies for mains connection, slave units for dual dosing & customer branding.

For volume applications bespoke software is available to either tailor the existing unit to specific requirements or even create special products for custom applications.

General specifications for standard unit:

- Pump output 40ml/minute.*
- Minimum battery life of over 1 year based on normal drain dosing usage.*
- Battery backup of 40 hours.*
- 5mm tube connectors.
- Standard unit comes complete with 5 metres of 5x8 PVC suction/discharge hose, foot filter, tube stiffener, wall plugs and wood screws for wall mounting and battery backup.

*approximately

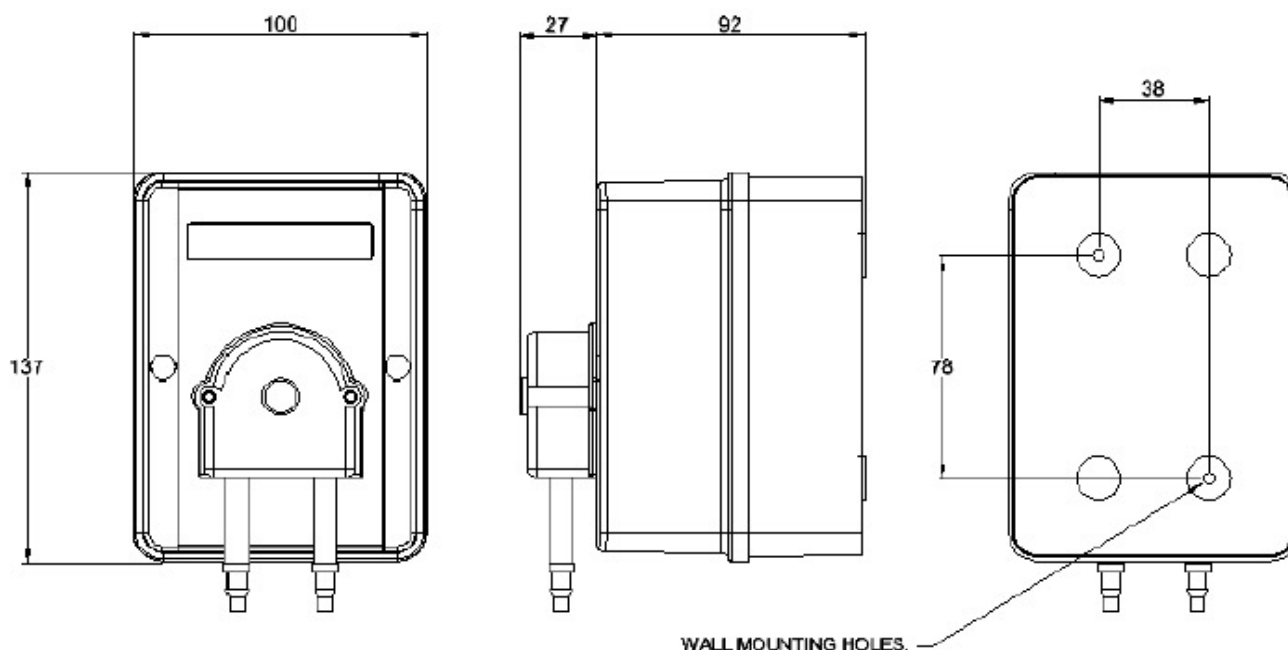
Williamson Manufacturing Company Ltd

The Street, Poyning, West Sussex, BN45 7AQ, United Kingdom.

Tel +44(0)1273 857752 Fax +44(0)1273 857511 Web www.wmcpumps.com

Order code	Description
LDS4.01B	Battery powered dosing pump complete with battery pack. Shipping weight:- 1.6kg
LDS4.01M	Mains powered dosing pump complete with plug in PSU, including UK, EU and USA AC heads. Shipping weight:- 1.0kg
LDS4.01M-WM	Mains powered dosing pump complete with wall mount PSU. Shipping weight:- 1.0kg
LDS4.01M-INT	Mains powered dosing pump complete with internal PSU. Shipping weight:- 1.0kg
LDS4-BATT-PACK	Spare battery pack c/w plug. Shipping weight:- 0.6kg

For special options/customisation, please contact us on the phone number listed at the bottom of the page or alternatively E-mail us at info@williamsonpumps.co.uk.



Williamson Manufacturing Company Ltd

The Street, Poynings, West Sussex, BN45 7AQ, United Kingdom.

Tel +44(0)1273 857752 Fax +44(0)1273 857511 Web www.wmcpumps.com