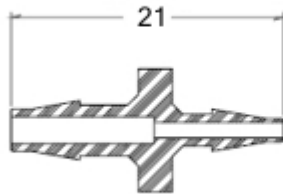


Reducing Barbed Connectors

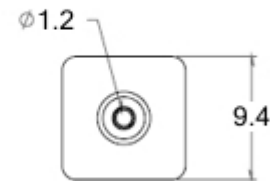
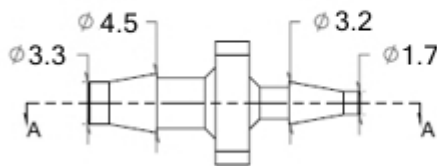
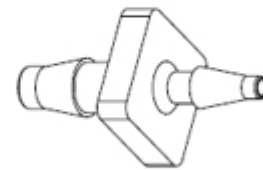
Specification & Drawing Sheet 1 (last updated Oct 2010)

Please click <http://www.williamson-shop.co.uk/reducing-barbed-connectors-6250-p.asp> to place an order via our online shop or please contact us for any requirements not listed or to place an order over the phone.

Part No MICRO 4/1.6 (Polypropylene 4mm/1.6mm barbed connector)

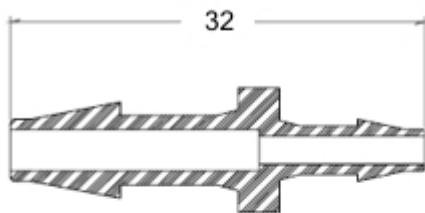


SECTION A-A

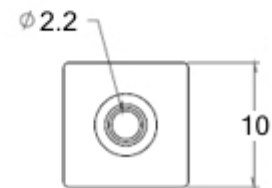
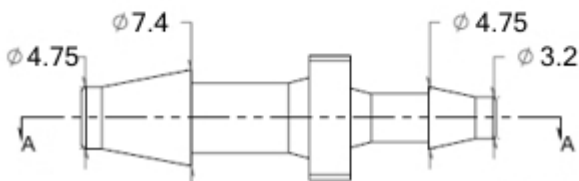
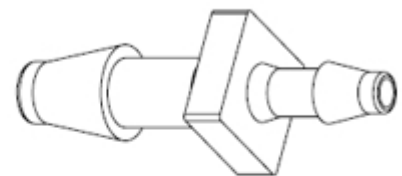


All Dimensions in millimetres

Part No MICRO 5/4 (Polypropylene 5mm/4mm barbed connector)



SECTION A-A



All Dimensions in millimetres

Williamson Manufacturing Company Ltd

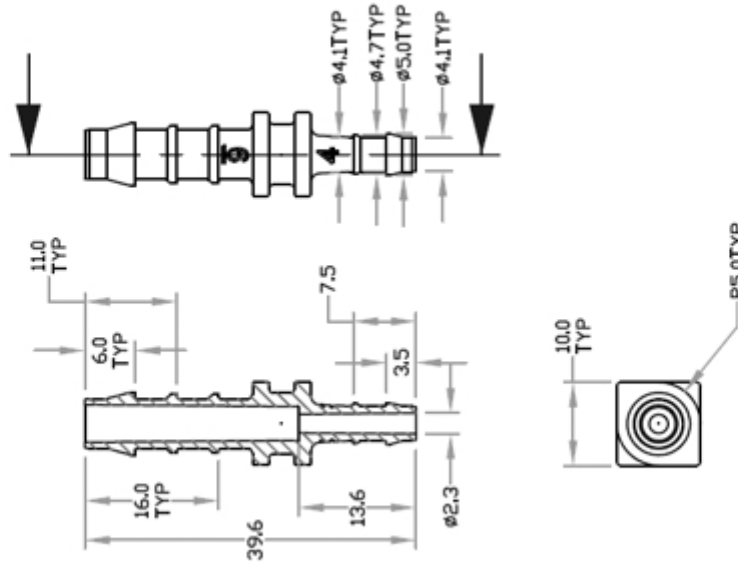
The Street, Poyning, West Sussex, BN45 7AQ, United Kingdom.

Tel +44(0)1273 857752 Fax +44(0)1273 857511 Web www.wmcpumps.com

Reducing Barbed Connectors

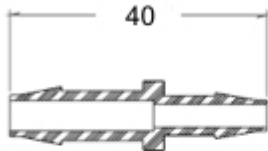
Specification & Drawing Sheet 2 (last updated Oct 2010)

Part No GRS 6-4-PP (Polypropylene 6mm/4mm barbed connector)

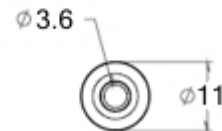
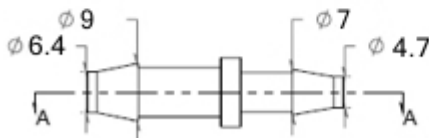


All Dimensions in millimetres

Part No MICRO 8/5 (Polypropylene 8mm/5mm barbed connector)



SECTION A-A



All Dimensions in millimetres

Reducing Barbed Connectors

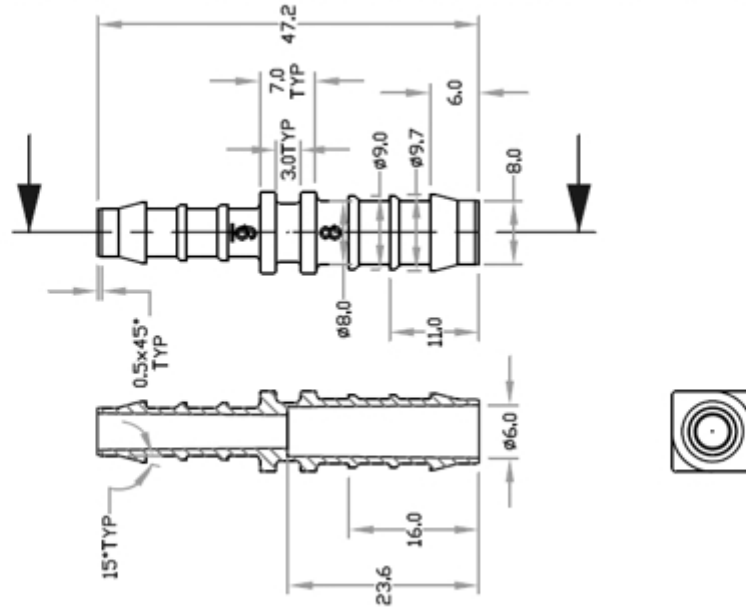
Williamson Manufacturing Company Ltd

The Street, Poynings, West Sussex, BN45 7AQ, United Kingdom.

Tel +44(0)1273 857752 Fax +44(0)1273 857511 Web www.wmcpumps.com

Specification & Drawing Sheet 3 (last updated Oct 2010)

Part No GRS 8-6-PP (Polypropylene 8mm/6mm barbed connector)



All Dimensions in millimetres

Part No GRS 10-6 (Acetal 10mm/6mm barbed connector)

Sorry we do not have a drawing for this part no

All Dimensions in millimetres

Williamson Manufacturing Company Ltd

The Street, Poyning, West Sussex, BN45 7AQ, United Kingdom.

Tel +44(0)1273 857752 Fax +44(0)1273 857511 Web www.wmcpumps.com